

Item Number

05B-22-0411-B10-322-0

Mounting Style IEC 80 B14

Enclosure Totally Enclosed Fan Cooled

Rated Power HP 1.12

Rated Power Watts 835

Rated Speed RPM 1800

Rated Frequency (Hz) 90

Number of Poles 6

Full Load Amps: 4.0

Torque (in lb) 40

Power Factor 0.70

Efficiency (%) 89.6

Rotor Inertia (lb-ft²) 6.69

Back EMF L-L (V/k RPM) 72.8

Resistance L-L Ω 2.14

Inductance (Lsd/Lsq) 4.3/14.2

Peak Amps 9.98

Peak Torque (in lb) 106.35

Length (in) 7.99

Weight (lbs) 16.3

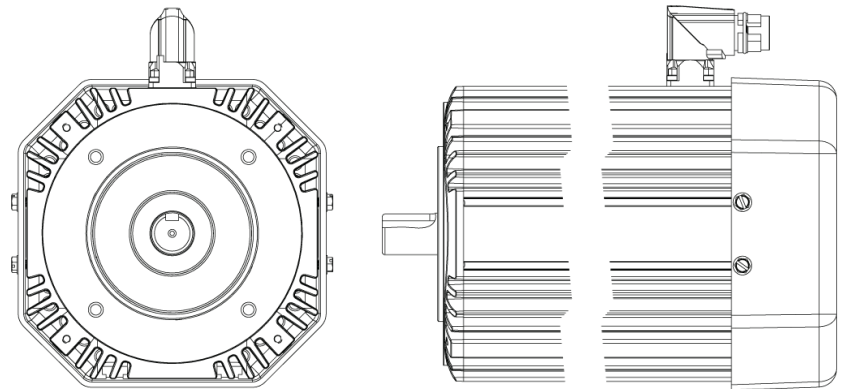
Motor Shaft Diameter (in) 0.75

Shaft Extension Length (in) 1.50

Looking for:

- Dimensional Drawings
- 3D CAD files
- User Manual

Go To www.BisonVFsync.com



Bison Variable Frequency Drives

This motor requires a variable frequency drive that is designed to run permanent magnet synchronous 230/460 volt, three phase AC motors. The following drives are compatible with this motor.



IP20 drive for in cabinet mounting

Part Number	Input Power	HP	Amps
DW10432	115 V	1	4.3
DW20432	1~ 230 V	1	4.3
DW30432	3~ 230 V	1	4.3



IP66 drive for exterior mounting

Part Number	Input Power	HP	Amps
DW10436	115 V	1	4.3
DW20436	1~ 230 V	1	4.3
DW30436	3~ 230 V	1	4.3

Power Cables

This motor comes standard with an M17 power swivel connector. The following quick connect cables are available to link the motor and drive.



Part Number	Length
191-05B-0001	1 Meter
191-05B-0002	3 Meters
191-05B-0003	6 Meters